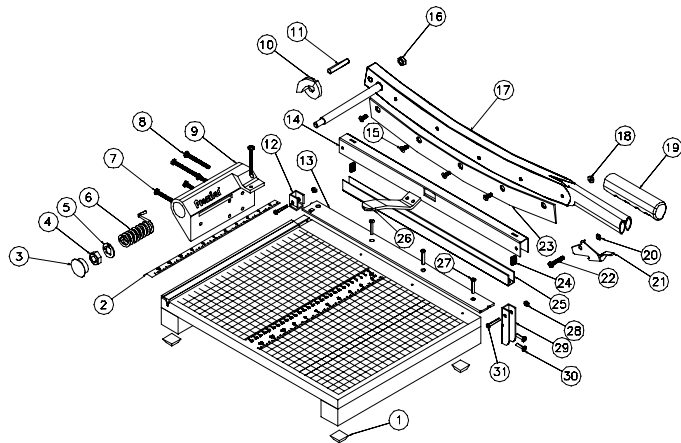
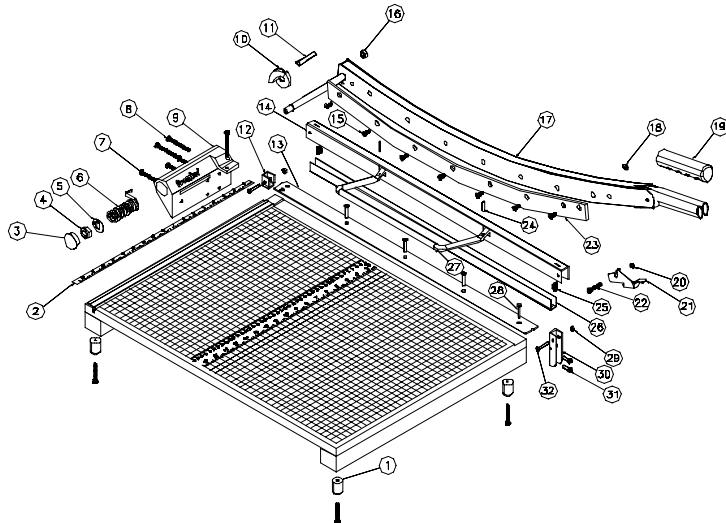
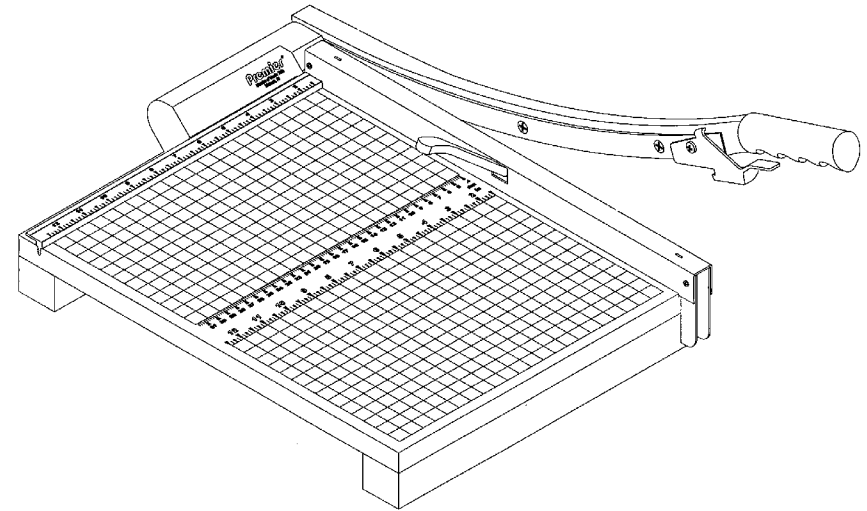


# Premier® StakCut Paper Trimmers



715 PARTS LIST

Part Number	Description	Qty.	Part Number	Description	Qty.	Part Number	Description	Qty.
1 M-S030021	Rubber Foot	4	12 W-0072167	Clamp Post Bearing	1	23 W-0721515	15" Curved Stack Blade	1
2 M-O017937	715x Ruler	1	13 W-0010515	15" Straight Blade	1	24 M-0721516	Extension Springs	2
3 M-S016012	1 1/8 Hole Plug	1	14 W-0072163	15" Clamp Cover	1	25 W-0072160	15" Clamp Bar	1
4 M-S007026	1/2-13 Hex Lock Nut	1	15 M-S001020	10-32 x 1/2 PHIL UC FH	4	26 W-A715A01	Pin Clamp Handle	1
5 W-0001757	Torque Washer	1	16 M-S007021	5/16-18 Jam Hex Nut	1	27 M-S004061	#8 x 1.25 Trim Hd.	4
6 M-S031053	Large Trimmer Spring	1	17 W-A715A00	715 Handle Assy	1	28 M-S007054	6-32 Hex Keps Nut	2
7 M-S004039	10 X 1.5 PHPHPBS	3	18 M-S007033	Hex Acorn Nut, 10-32	1	29 W-0072168	Clamp Post Front	1
8 M-S004050	10x2 Ph Rd Lo-Root	3	19 M-S043016	1" Hand Grip, Maroon	1	30 M-S004065	#8 x 5/8 PH Pan Hd	2
9 W-A017511	Prem. Lrg. Block	1	20 M-O017642	Latch Spacer	1	31 M-S001058	6-32 x 1 Phil Pan Head	2
10 M-O017654	Block Wear Pad	1	21 W-O017652	Large Safety Latch	1			
11 M-S038006	5/16-18 X 1 3/4 SL. Oval	1	22 M-S001149	10-32 x 1.13 P/PH B/O	1			



724 PARTS LIST

Part Number	Description	Qty.	Part Number	Description	Qty.	Part Number	Description	Qty.
1 M-S030002	Rubber Foot w/Recess	4	12 W-0072167	Clamp Post Bearing	1	23 W-0722415	24" Curved Stack Blade	1
2 M-O017957	724 Ruler, .50 x 17.56	1	13 W-0010524	24" Straight Blade	1	24 M-S018002	1/8d x 3/4 Rollpin	2
3 M-S016012	1 1/8 Hole Plug	1	14 W-0072165	24" Clamp Cover	1	25 M-0721516	Extension Springs	2
4 M-S007026	1/2-13 Hex Lock Nut	1	15 M-S001020	10-32 x 1/2 PHIL UC FH	7	26 W-0072162	24" Clamp Bar	1
5 W-0001757	Torque Washer	1	16 M-S007021	5/16-18 Jam Hex Nut	1	27 W-0722418	Clamp Handle	1
6 M-S031053	Large Trimmer Spring	1	17 W-A724A00	724 Handle Assy	1	28 M-S004061	#8 x 1.25 Trim Hd.	5
7 M-S004039	10 x 1.5 PHPHPBS	7	18 M-S007033	Hex Acorn Nut, 10-32	1	29 M-S007054	6-32 Hex Keps Nut	2
8 M-S004050	10x2 Ph Rd Lo-Root	3	19 M-S043016	1" Hand Grip, Maroon	1	30 W-0072168	Clamp Post Front	1
9 W-A017511	Prem. Lrg. Block	1	20 M-O017642	Latch Spacer	1	31 M-S004065	#8 x 5/8 PH Pan Hd	2
10 M-O017654	Block Wear Pad	1	21 W-O017652	Large Safety Latch	1	32 M-S001058	6-32 x 1 Phil Pan Head	2
11 M-S038006	5/16-18 x 1 3/4 SL. Oval	1	22 M-S001149	10-32 x 1.13 P/PH B/O	1			

## Key Features and Benefits

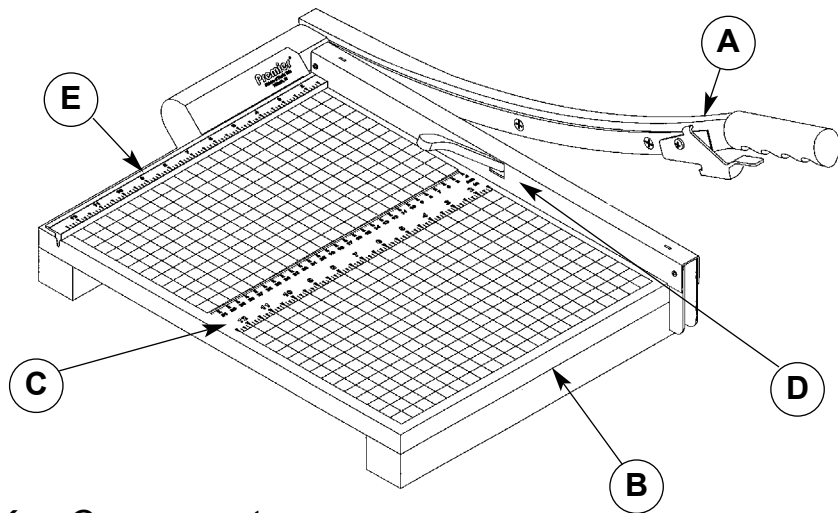
- Clamp securely holds stacks for accurate cutting without tearing or shifting
- Heavy-duty 3/4" thick wood base
- Fully-hardened self-sharpening steel blades cut up to 30 sheets
- Accurately cuts paper, matte board, cardboard, film, tissue, and textiles
- Permanent 1/2" grid and dual rulers for proper paper alignment
- Patented automatic blade latch locks with every cutting motion
- Torsion spring counterbalances blade arm
- Non-skid feet

## Model Numbers

715 – 15" cutting length

724 – 24" cutting length

MADE IN USA



### Key Components

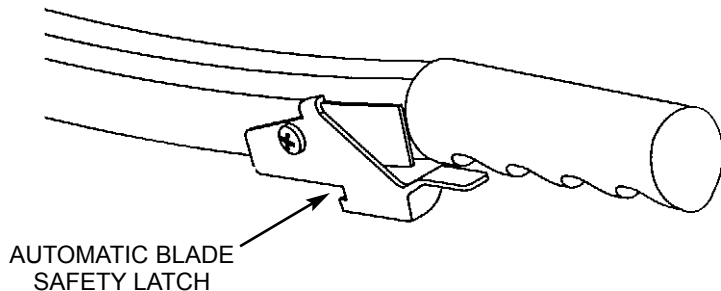
- A – Hand Grip/Blade Arm/Blade Latch Assembly
- B – Wood Base
- C – Alignment Ruler
- D – Hold-Down Clamp
- E – Paper Guide Ruler

### Assembly Instructions

None – your trimmer is ready for use right out of the box

### Automatic Safety Latch

The patented automatic blade latch is a key safety feature of this trimmer. It will lock with every complete cutting stroke, helping to eliminate forgetfulness. Remember to always push the blade arm down completely when you are finished cutting, to ensure that the latch activates. Never remove the latch for any reason.



### Operating Instructions

1. Place the trimmer on a flat, stable surface
2. Release the blade latch, which is located on the hand grip (A)
3. Lift the blade arm (A) up into cutting position
4. Slide the paper under the clamp (D), pushing the paper up against the paper guide ruler (E), and use the rulers or the 1/2" grid, to align the paper to the proper position.

#### **CAUTION:**

**Keep hands and fingers behind the clamp (D) at all times, away from the cutting blades**

5. While holding the silver clamp handle (D) down with your left hand, pull down the blade arm (A) to cut.
6. Always make sure that the blade arm is completely down and locked when not in use.

### Safety Information

- Always ensure that the blade arm is fully pushed down, and that the blade latch is engaged, when not in use
- Never operate the trimmer without the clamp in place
- Always keep clothing, jewelry, watches, and hair away from the cutting blade
- Keep out of the reach of children
- Do not carry the trimmer by the hand grip or the blade arm

### For Best Cutting Performance

Use Trim-Ease Blade Lubricant for a smoother cut and to help preserve the life of the cutting blade. To order, send \$4.00 per stick and a self-addressed, stamped envelope to the address below.

### Customer Service

**Telephone:** (260) 563-0641  
**Fax:** (260) 563-4575  
**Email:** info@martinyale.com  
**Internet:** www.martinyale.com  
**Address:** Martin Yale Industries, Inc.  
 251 Wedcor Avenue  
 Wabash, IN 46992

Visit [www.martinyale.com](http://www.martinyale.com) for information on office products, including folding machines, punches, and catalog racks.